



Compact Cooked-Rice Mixer "SHARIKKA" MCR-SSC-CE



New high grade resin drum attains no recorting and a weight reduction while maintaining the blending of rice and vinegar at high level.



Compact Cooked-Rice Mixer "SHARIKKA" MCR-SSC-CE

Features

- The compact design saves installation space, ideal for a small kitchen.
- Touch-panel screens enable easy operation.
- Blending method without pressure on rice enables to produce highest quality "shari" (sushi rice) just like experienced sushi chef's make.
- Three different pre-set blending programs are selectable, depending on the type and amount of rice.
- Rice can be cooled down to the appropriate temperature by a built-in blower during the blending process.
- Available for various applications; "Shari" blended with sushi vinegar, mixed rice with assorted mixtures, loosened rice in fluffier condition and etc.
- The "shari" or processed rice is easily discharged from the drum by a simple touch operation.
- Easy cleaning is possible as washable parts can be dismantled and reassembled without tools.
- High grade non-stick resin eliminates Teflon coating and provides easy handling and cleaning.

Specifications

Model

Sharikka MCR-SSC-CE

Power

AC220V-240V, 50/60Hz Single phase (CE mark)

Power consumption

95W

External dimensions

Width 496mm

Depth 604mm

Height 872mm

* The dimensions do not contain bumps and bosses.

Rice Amount Capacity

Maximum 6.5kg of cooked rice

Machine weight

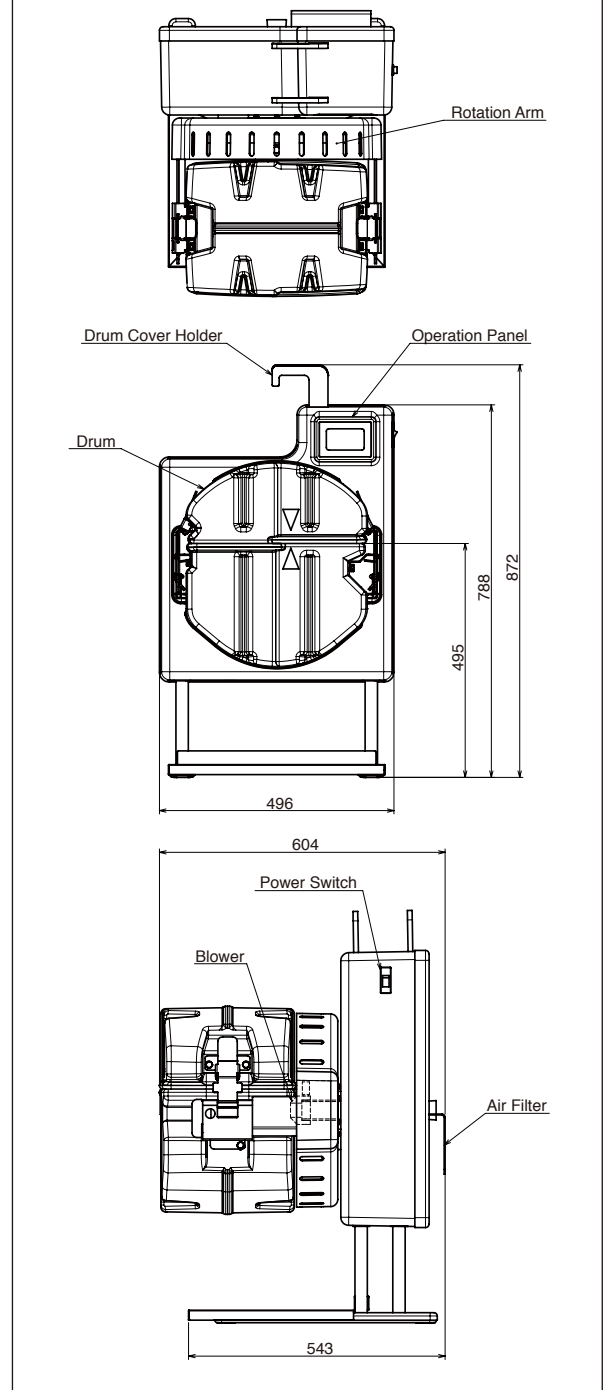
Approx. 38kg

Mechanism

Fully automatic

(Placing the rice and sushi vinegar into the drum is done manually.)

Dimensions



* Designs and specifications subject to change without notice.

* Please follow the directions in the operations manual when handling the machine.

* While capacity expresses the machine's performance capabilities, it is predicated upon the machine being operated correctly.

Suzumo Machinery Co., Ltd. Overseas Business Division

2-23-2, Toyotamakita, Nerima-ku, Tokyo 176-0012, Japan

Tel. +81 3-3993-1407 Fax. +81 3-3993-1756

e-mail overseas@suzumo.co.jp URL <http://www.suzumokikou.com>

< Contact in North America >

Suzumo International Corporation

Head Office : 1815 W. 205th Street, Suite 101 Torrance, CA 90501 U.S.A.

Tel. +1 310-328-0400 Fax. +1 310-328-2700 e-mail sic@suzumokikou.com

East Office : 560 Sylvan Avenue, Suite 2020 Englewood Cliffs, NJ 07632 U.S.A.

Tel. +1 201-568-1900 e-mail sic@suzumokikou.com

< Contact in Singapore >

Suzumo Singapore Corporation Pte. Ltd.

421 Tagore Industrial Avenue #04-11 Tagore 8, Singapore 787805

Tel. +65 6254-2080 Fax. +65 6254 2086 e-mail sales@suzumo-sg.com