

ENGLISH



New Compact Sushi Machine

# SSF-CXA

Entry Model for Nigiri Sushi making machine with keeping the high quality and productivity.



SSF-CXA-CE



SSF-CXA

**\*Simple design and minimum parts number for easy operation and maintenance.**

**\*Traditional and perfect nigiri sushi shape by 2-steps rice gripping and forming mechanism.**

**\*The weight and hardness of nigiri sushi can be adjustable.**



# New Compact Sushi Machine SSF-CXA

## Features

- Simple operation by switching panel for "Start/Stop" operation, adjustment of sushi weight, and counter reset.
- Compact in design, and easy work to replenish a rice hopper with Shari (Rice).
- Reduction of the number of cleaning parts for easy daily work. Simple structure leads to sanitation, cleanness, easy assembling and disassembling.

## Specification

Model

SSF-CXA

SSF-CXA-CE (Comformity model of CE regulation)

Input

AC200-240V, 50/60Hz Single phase

Power Consumption

Max. 150W

Power Connection Cable

Length: 2m Plug: BF Type, CEE Type (selectable)

Capacity

2,000 pieces per hour

Sushi Size

Length 52x22(mm), 12 ~ 18g weight (with table unit: CXA-S10)

Length 55x24(mm), 18 ~ 20g weight (with table unit: CXA-A10/B10)

Hopper Capacity

Approx. 6kg of cooked rice

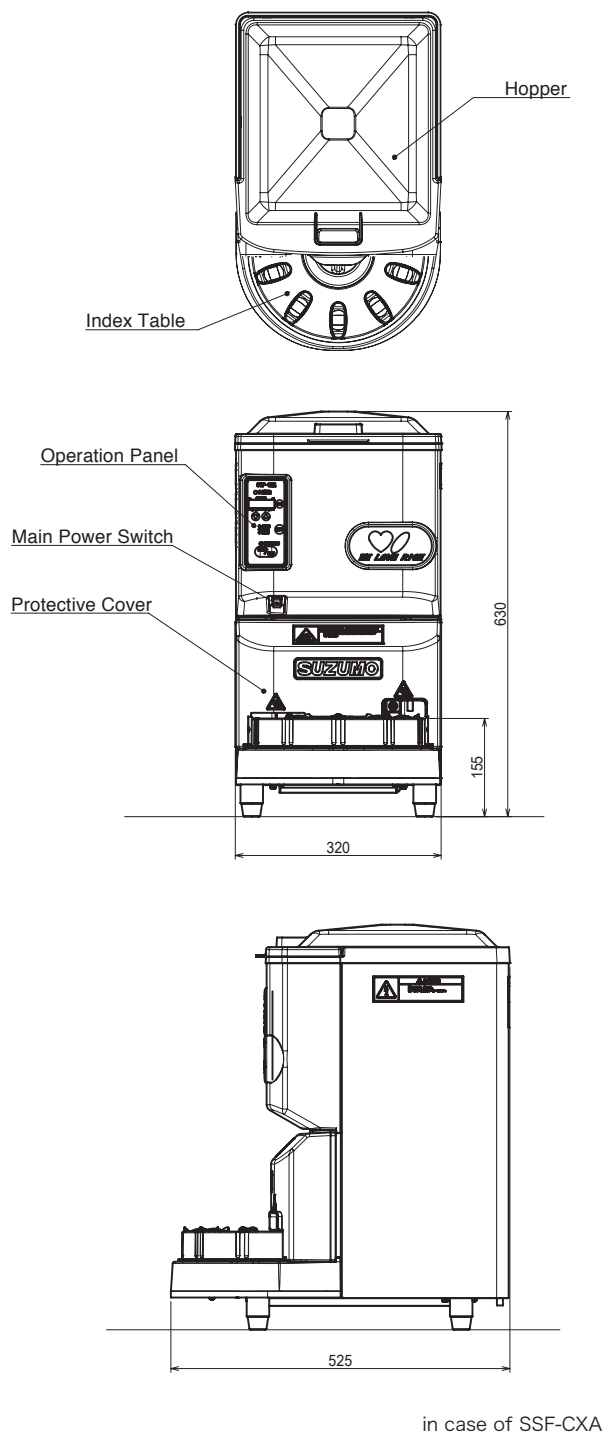
Machine Dimensions

320W x 520D x 630H (mm)

Machine Weight

35Kg

## Dimensions



\*Designs and specifications subject to change without notice.

### Suzumo Machinery Co., Ltd. Overseas Business Division

2-23-2, Toyotamakita, Nerima-ku, Tokyo 176-0012, Japan  
Tel. +81 3-3993-1407 Fax. +81 3-3993-1756  
e-mail overseas@suzumo.co.jp URL <http://www.suzumokikou.com>

< Contact in North America >

### Suzumo International Corporation

Head Office : 1815 W. 205th Street, Suite 101 Torrance, CA 90501 U.S.A.  
Tel. +1 310-328-0400 Fax. +1 310-328-2700 e-mail sic@suzumokikou.com

East Office : 560 Sylvan Avenue, Suite 2020 Englewood Cliffs, NJ 07632 U.S.A.  
Tel. +1 201-568-1900 e-mail sic@suzumokikou.com

< Contact in Singapore >

### Suzumo Singapore Corporation Pte. Ltd.

421 Tagore Industrial Avenue #04-11 Tagore 8, Singapore 787805  
Tel. +65 6254-2080 Fax. +65 6254 2086 e-mail sales@suzumo-sg.com